

MultiBrax® MB 650 RV-XL pipe belt grinder attachment



Features:

Characteristics:	Attachment for use on angle grinder models Ø 125 mm with vario speed
Intake:	M14-thread (metric) oder 5/8-11" (imperial)
Models:	Pipe belt grinder attachment with telescope arm
Weight:	1,18 kg + angle grinder
Dimensions:	28,0 (+11) x 25,0 x 10,5 cm (L x H x W) (data without angle grinder)

Benefits:

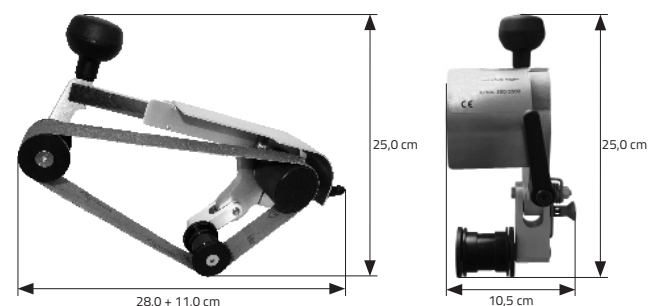
- Simple assembly, no tools required
- High-quality, sturdy but light attachment
- Easy pipe machining
- This design allows grinding in areas difficult to access as e.g. assembled hand rails (5 cm wall clearance)
- Different belt width applicable (6 – 40 mm)
- Adjustable telescopic arm for the use of standard belt lengths (610, 650, 760, 780 and 820 mm)
- Dust protected ball bearing and patented guiding rollers
- Due to the fixed side discs at the guiding rollers the grinding belt is firmly guided, a running off of the grinding belt is nearly impossible
- A swivel arm with hardness level lock so that the contact pressure can be adjusted depending on the application

For the right cutting speed for your application, please refer to the cutting speed information sheet.

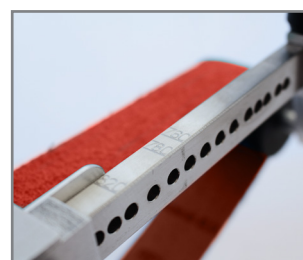
Special attributes:

- For use on polishing machines and vario speed angle grinders.
- For grinding, satin finishing, matt finishing, cleaning, polishing, rust removal and paint stripping of round bars, banisters, handrails and tubes in the visible range of 8 - 300 mm in diameter.
- The MultiBrax® attachment system fits on commercial common angle grinder (vario speed, 125 mm Ø) and is compatible with compressed air systems and flexible shafts. The exact type designations can be found in the overview.

Dimensions:



Application examples:



GeBrax GmbH

Obere Hommeswiese 41-45
57258 Freudenberg
Germany

Phone: +49 27 34 / 28 474-0
Fax: +49 27 34 / 28 474-10

E-Mail: info@gebrax.de
www.gebrax-abrasives.com

Further information on request. Subject to technical changes.